

Gas Manifold

The XEN-85030 Gas Manifold is used in applications in which the XEN-5320 Thermal Conductivity Gas Sensor cannot be installed directly at the gas sensing location due to poor accessibility or the harshness of the environment. Then the sample can be continuously drawn from the sensing location to the sensor at a more suitable location. The gas manifold does not have any active component so the gas sample flow control needs to be provided by the user.



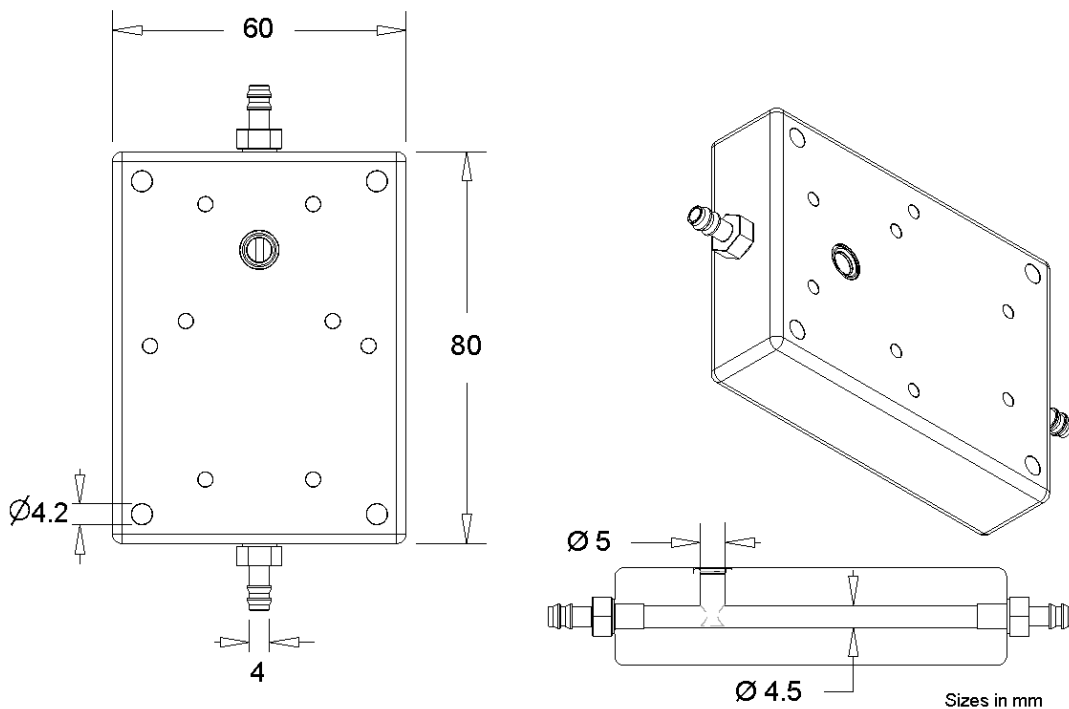
Features

- Compatible with the XEN-5320-ALU housing
- Aluminium, viton O-ring gas seal
- Mounting holes for easy fixing
- 4 mm brass tube connectors

Applications

Aid the user in calibration with reference gases, placement for remote gas sensing and use of gas sensor devices to ensure accurate and reliable monitoring of gases.

Outline drawing



Whilst Xensor has taken care to ensure the accuracy of the information contained herein it accepts no responsibility for the consequences of any use thereof and also reserves the right to change the specifications of goods without notice. Xensor accepts no liability beyond set out in its standard conditions of sale in respect of infringement of third party patents arising from the use of Xensor products in accordance with information contained herein.